



**Serious Barbecues**

beefeaterbbq.com



# Discovery Series Built-in BBQ grill

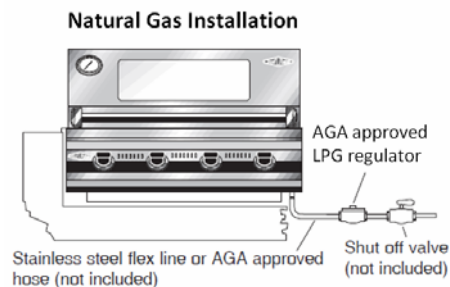
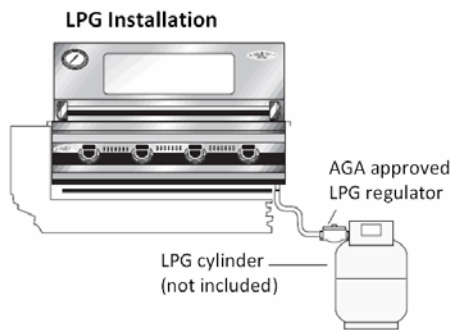
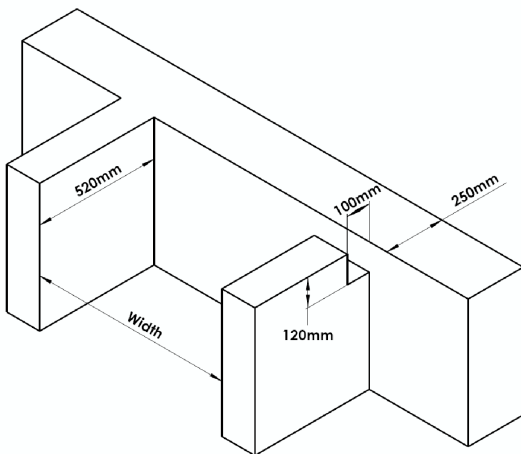
## Cut Out Dimensions

For built-in installations: islands, masonry, other non-combustible material structures

Discovery Series Built-In BBQs	2 burner	3 burner	4 burner	5 burner
Width	523mm	690mm	846mm	1003mm
Height	200mm			
Depth (includes 20mm rear ventilation clearance)	520mm			
Minimum Clearance to Combustible Materials	450mm			

**Important:**

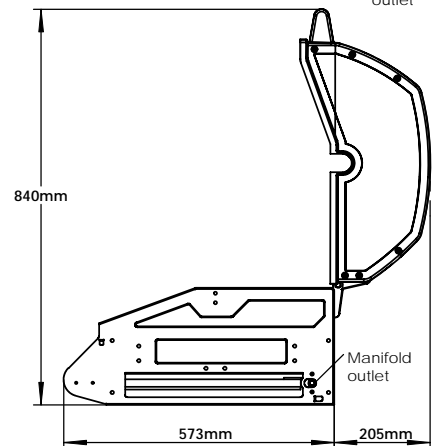
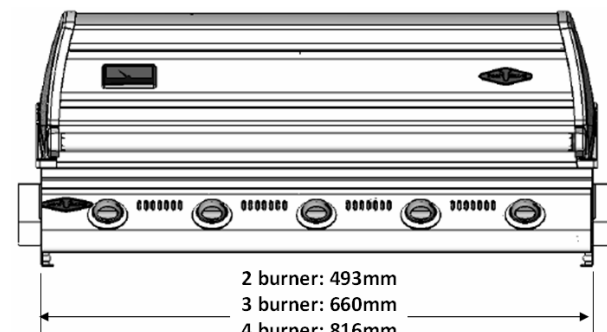
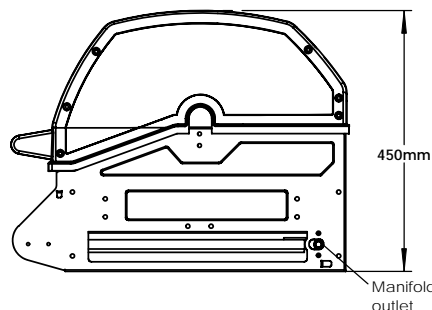
Allow sufficient distance at rear of installation for hood opening clearance requirements



## BBQ Dimensions

### Model Series

- i1000e
- i1000s



**Built-in brackets required**

**Weight (with hood)**

➤ 2 burner: 35.0kgs / 3 burner: 45.0kgs / 4 burner: 50.0kgs / 5 burner: 60.0kgs